

Downlight

DL

The Downlights You Need to Seal Any Deal are All-New and Available Now.

LED

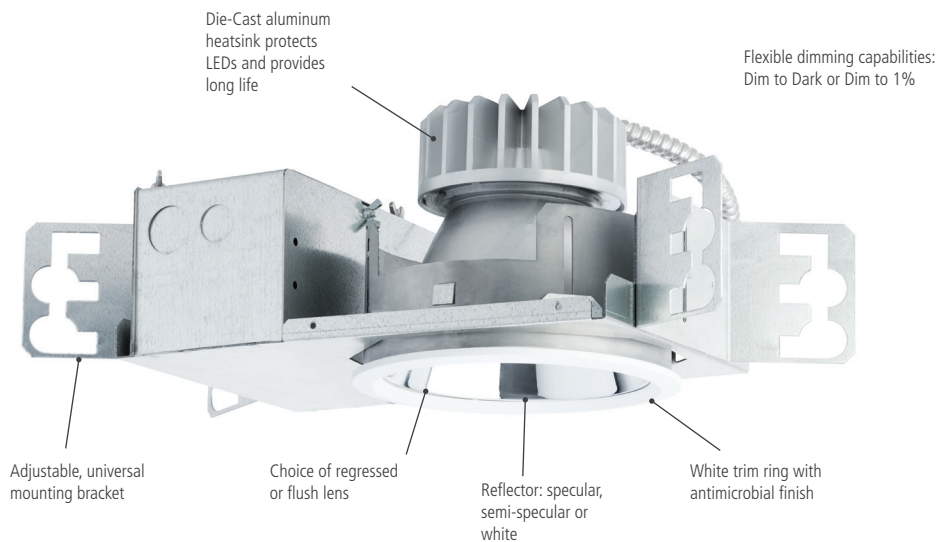


Kenall's sealed downlights fit the needs of the most challenging environments, including:

- Hospitals and clinics
- Behavioral health facilities
- Cleanrooms
- Containment areas
- Food processors
- Pharmaceutical manufacturers
- Transportation, transit and other public spaces
- Military installations
- Educational facilities
- All areas where damp and wet location listings simply are not enough

Avoid the headache of downlights that don't live up to your demanding applications. Kenall's new modular downlights are designed to stay tightly sealed and perform efficiently for years.

One simple, modular design accommodates both recessed and flush mount installations, and Ingress Protection is an integral part of that design — so there are no surprise upcharges.



...And Easy Installation

This downlight ships in two phases so the rough-in frame is installed first. The trim finishing section can then be installed once the ceiling is finished, adjusting to fit various ceiling thicknesses.

The Downlights You Need to Seal any Deal are All-New and Available Now.

LED

REGRESSED LENS DOWNLIGHTS							
MODEL	APPLICATION	INPUT WATTS	CCT	CRI	IP RATING	EMISSIONS PROTECTION	TRIM RING
Millenium™ HADL	High abuse	12L, 22L, 33L, 55L	4000K*	80 (option for 90)	IP64 with screwless flush lens, IP65 with standard flush lens		Die-cast aluminum; Stainless steel; antimicrobial white
MedMaster™ M4DL	Surgical suites	12L, 22L, 33L, 55L	3000K	80 (option for 90)	IP64	EMI Filter	Stainless steel; antimicrobial white
MedMaster™ MRIDL	MRI suites	12L, 22L, 33L, 55L	4000K*	80 (option for 90)	IP64	24V DC RF-EMI emissions compliant	Die-cast aluminum
MedMaster™ MDL	Healthcare (general)	12L, 22L, 33L, 55L	4000K*	80 (option for 90)	IP64		Antimicrobial white
Millenium™ HADL	Education	12L, 22L, 33L, 55L	4000K*	80 (option for 90)	IP64		

FLUSH LENS DOWNLIGHTS							
MODEL	APPLICATION	INPUT WATTS	CCT	CRI	IP RATING	EMISSIONS PROTECTION	TRIM RING
MightyMac™ HADL	Correctional	12L, 22L, 33L, 55L	4000K*	80	IP65		Cold-rolled steel
MedMaster™ M4DL	Surgical suites	12L, 22L, 33L, 55L	3000K	80 (option for 90)	IP64 (IP65 optional)	EMI Filter	Stainless steel; antimicrobial white
MedMaster™ MRIDL	Healthcare (general)	12L, 22L, 33L, 55L	4000K*	80 (option for 90)	IP64	24V DC RF-EMI emissions compliant	Die-cast aluminum
MedMaster™ BHDL	MRI suites	12L, 22L, 33L, 55L	4000K*	80 (option for 90)	IP65		Die-cast aluminum; Stainless steel; antimicrobial white
Millenium™ HADL	Education	12L, 22L, 33L, 55L	4000K*	80 (option for 90)	IP64 (IP65 optional)		Cold-rolled steel or aluminum
SimpleSeal™ CDL	Cleanroom & containment	12L, 22L, 33L, 55L	4000K*	80 (option for 90)	IP64 with screwless flush lens, IP65 with standard flush lens		Die-cast aluminum; Stainless steel; antimicrobial white
EnviroPro™ EPDL	Food processing & pharmaceutical	12L, 22L, 33L, 55L	4000K*	80 (option for 90)	IP64 with screwless flush lens, IP65 with standard flush lens		Die-cast aluminum; Stainless steel; antimicrobial white
LuxTran™ TDL	Transit & Transportation	12L, 22L, 33L, 55L	4000K*	80	IP65		Stainless Steel
Millenium™ HADL	High abuse	12L, 22L, 33L, 55L	4000K*	80 (option for 90)	IP64 (IP65 optional)		Stainless steel or aluminum

* Also available in 3,000K, 3,500K and 5,000K



www.kenall.com

P: 800-4-Kenall

Email: info@kenall.com

10200 55th Street Kenosha, WI 53144

The Kenall product shown on this page is designed and manufactured in the USA with components purchased from US suppliers, and meets the Buy American requirements under the ARRA. Kenall has not determined the origin of its domestically purchased components or the subcomponents thereof.